

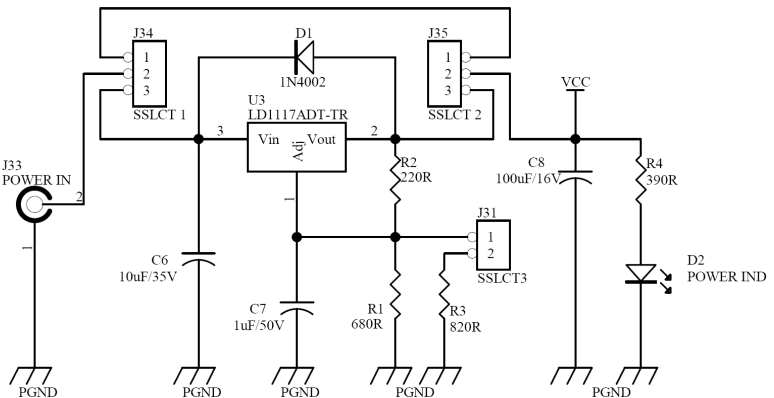
UART0 Setting

UART1 Setting

UART SETTING

UART SETTING JUMPER (J22 - J29) :

" COM "	" JUMPER 1:2 (TTL) "	" JUMPER 2:3 (RS232) "
UART0 :	J22 - J25	J22 - J25
UART1 :	J26 - J29	J26 - J29



POWER SUPPLY SELECTION (J31;J34;J35)

	" W/O REG "	" 5V REG "	" 3.3V REG "
SSLCT1 (J34)	1-2	2-3	2-3
SSLCT2 (J35)	1-2	2-3	2-3
SSLCT3 (J31)	X	OPEN	CLOSE

Note : X = Don't care